



1310 Miller Road
Greenville, SC 29607

Barker Products

Fluid Power Specialist



Phone:803-288-7384
Fax:803-297-1292

POWER BEYOND TAP IN KIT SPECIFICATIONS

THE FOLLOWING SPECIFICATIONS ARE INTENDED TO DESCRIBE EQUIPMENT FOR A SEMIAUTOMATED REFUSE COLLECTION SYSTEM WHICH WILL UTILIZE HEAVY DUTY EIGHTY OR NINETY GALLON RESIDENTIAL CARTS AND HYDRAULIC LIFTING MECHANISMS INSTALLED ON REAR OR SIDE LOADING PACKER BODIES FOR DUMPING THESE CARTS.

- 1. THE KIT MUST CONTAIN ALL HOSES, HOSE MOUNTING BRACKETS, FITTINGS , DIVERTER VALVE AND HAND VALVES REQUIRED TO INSTALL AND OPERATE THE LIFT UNITS.**
- 5. THE DIVERTER VALVE MUST BE A CARTRIDGE TYPE DESIGN SO THAT ALL COMPONENTS ARE EASILY REPLACEABLE. IF THE KIT IS FOR A SINGLE UNIT INSTALLATION, THE DIVERTER MUST BE CAPABLE OF BEING CONVERTED TO DOUBLE OPERATION WITHOUT REPLACING THE COMPLETE VALVE. THE DOUBLE UNIT DIVERTER VALVE MUST OPERATE EITHER UNIT INDEPENDENTLY OR BOTH LIFTS SIMULTANEOUSLY WITHOUT ANY LOSS OFF LIFTING POWER TO EITHER UNIT. THE DIVERTER WILL CONTAIN A SPEED LIMITING DEVICE WHICH WILL REGULATE THE OPERATING TIME OF BOTH UNITS TO BE WITHIN AN EIGHT TO TEN SECOND CYCLE TIME. THE SPEED LIMITING DEVICE MUST NOT BE ABLE TO BE ADJUSTED BY OPERATORS, BUT EASILY CHANGED BY SHOP PERSONNEL**
- 6. THE HAND VALVE WILL BE A THREE-POSITION, POWER BEYOND STYLE, FOUR WAY DIRECTIONAL CONTROL WITH A MINIMUM RATED FLOW CAPACITY OF TWENTY GALLONS PER MINUTE AND A MAXIMUM OPERATING PRESSURE OF 3000 PSI. IF THE OPERATOR RELEASES THE HANDLE AT ANY POINT DURING THE LIFTING CYCLE, THE VALVE MUST RETURN TO THE CENTER POSITION AND HOLD THE LIFT UNIT AT THAT POINT.**
- 7. THE KIT MUST CONTAIN A TANK LINE ADAPTER SO THAT THE TANK LINE OF THE HAND VALVE RETURNS DIRECTLY TO TANK. THIS PREVENTS HAND VALVE SPOOL LEAKAGE BECAUSE THE SPOOL SEALS NEVER SEE TRUCK OPERATING PRESSURE.**
- 5. THE HYDRAULIC HOSES MUST BE OF 2-WIRE BRAID CONSTRUCTION AND MAXIMUM OPERATING PRESSURE OF 3000 PSI. HOSES MUST MEET OR EXCEED ALL REQUIREMENTS OF SAE 100R2 SPECIFICATIONS.**
- 6. THE LIFT SYSTEM WILL NOT STEAL ANY HYDRAULIC FLUID FROM THE TRUCK SYSTEM DURING OPERATION OF THE PACKER CYCLE.**



1310 Miller Road
Greenville, SC 29607

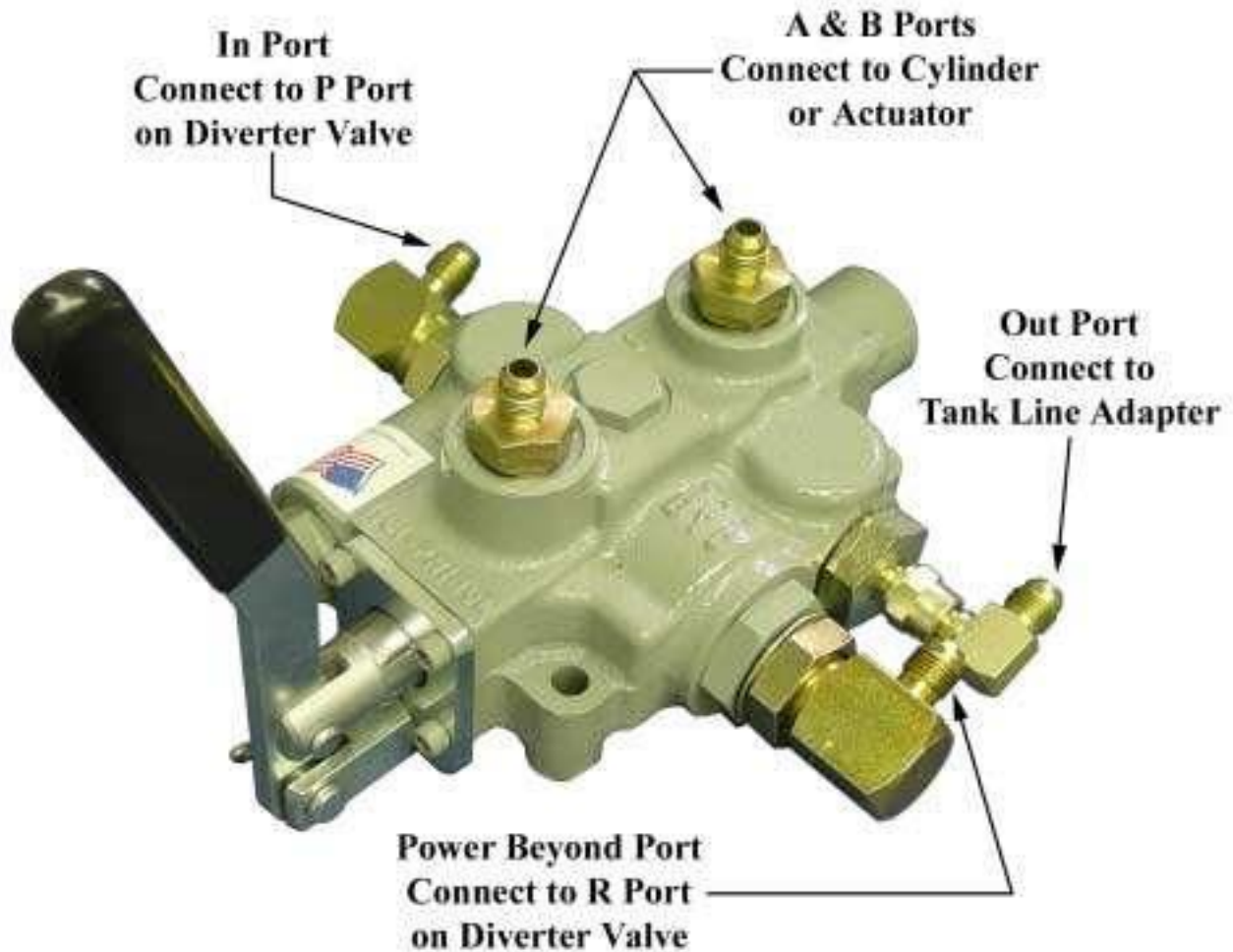
Barker Products

Lift Unit Specialist



Phone: 864-288-7384
Fax: 864-297-1292

Power Beyond Hand Valve Installation





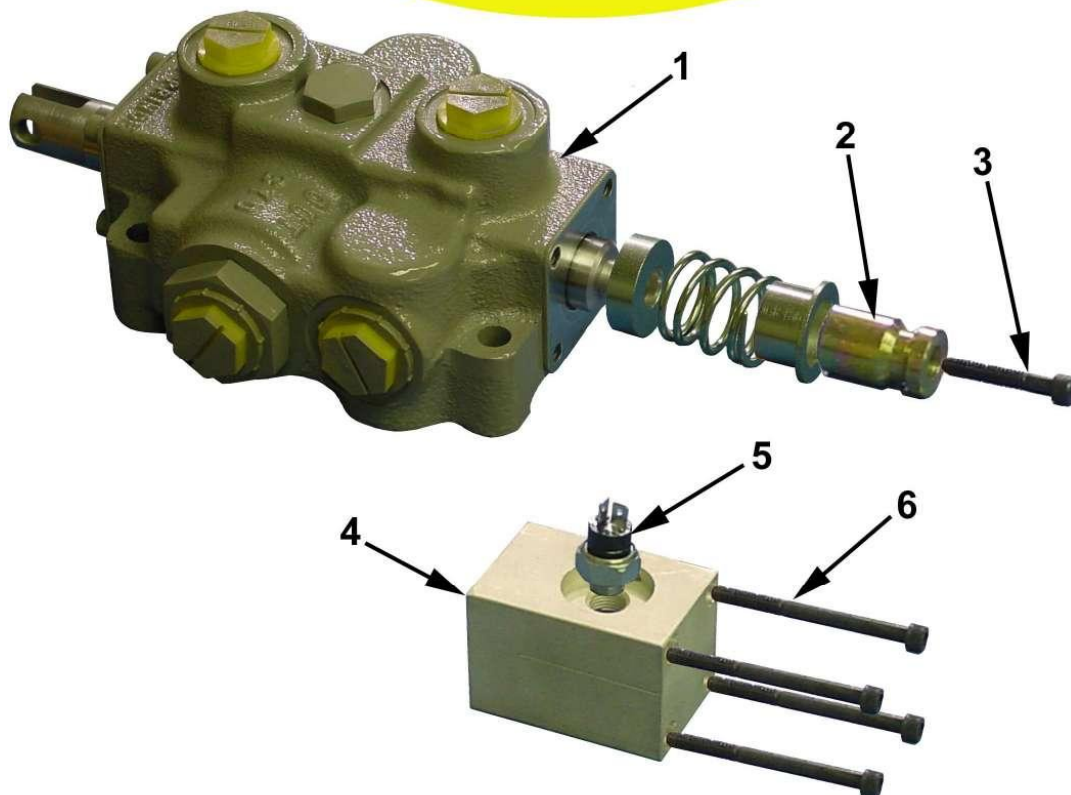
Barker Products

1310 Miller Road, Greenville, SC 29607



Power Beyond Hand Valve Electric Switch

Item	Part #	Quan	Description
1	BV10000	1	Power Beyond Hand Valve
2	BV01690	1	Piston
3	XAB042012	1	1/4-20 X 1 1/2 Socket Head Cap Screw
4	BV01685	1	Switch Cap
5	BV01700	1	Hand Valve Electric Switch
6	XAB042024	4	1/4-20 X 3 Socket Head Cap Screw





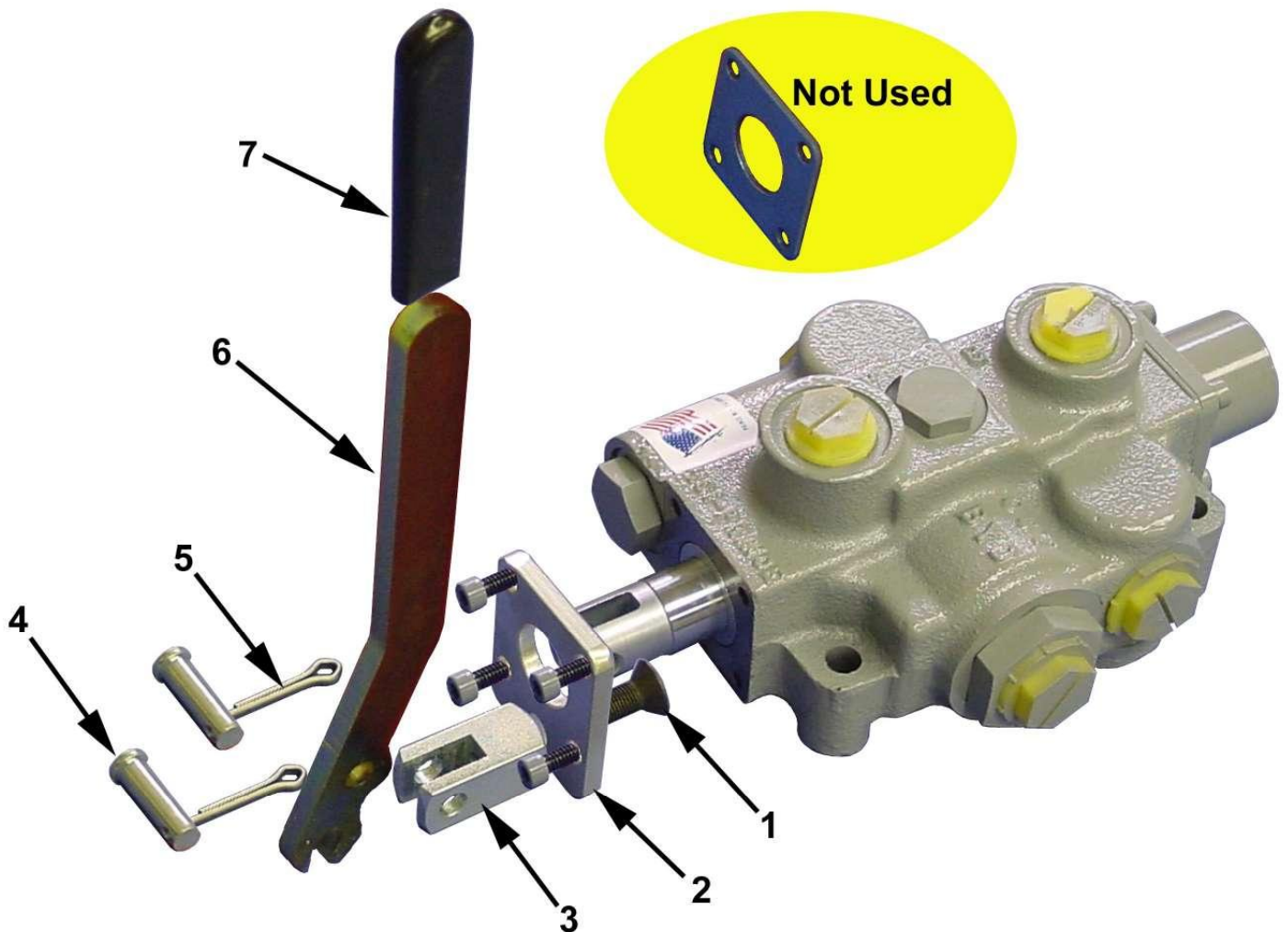
Barker Products

1310 Miller Road, Greenville, SC 29607



Standard Handle Kit BV10500

Item	Part #	Quan	Description
1	XAD062408	1	3/8-24 X 1 Flat Head Socket Screw
2	BV10510	1	Handle Base
3	BV10530	1	Handle Clevis
4	BV10531	2	Clevis Pin
5	BW02120	2	Cotter Pin
6	BV10520	1	Handle
7	BW02790	1	Handle Grip





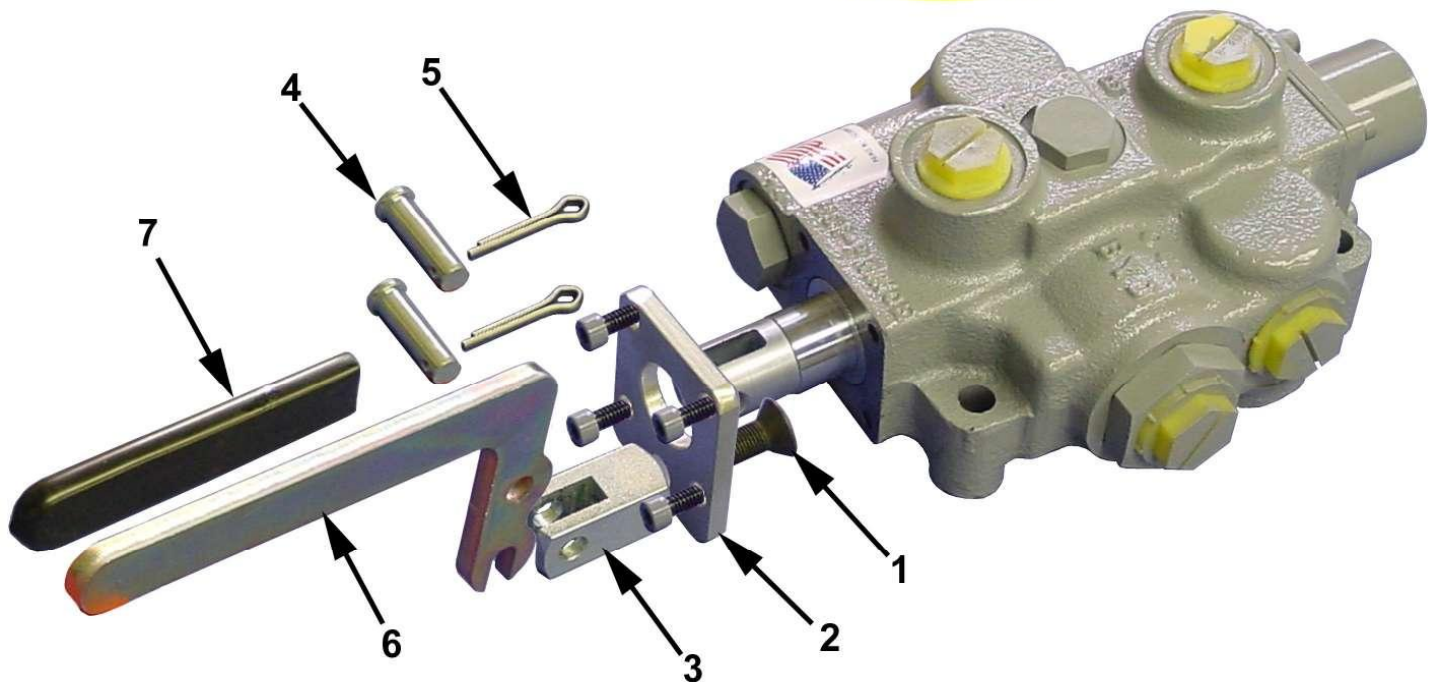
Barker Products

1310 Miller Road, Greenville, SC 29607



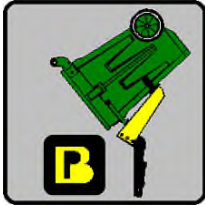
Horizontal Handle Kit BV10505

Item	Part #	Quan	Description
1	XAD062408	1	3/8-24 X 1 Flat Head Socket Screw
2	BV10510	1	Handle Base
3	BV10530	1	Handle Clevis
4	BV10531	2	Clevis Pin
5	BW02120	2	Cotter Pin
6	BV10525	1	Handle
7	BW02790	1	Handle Grip



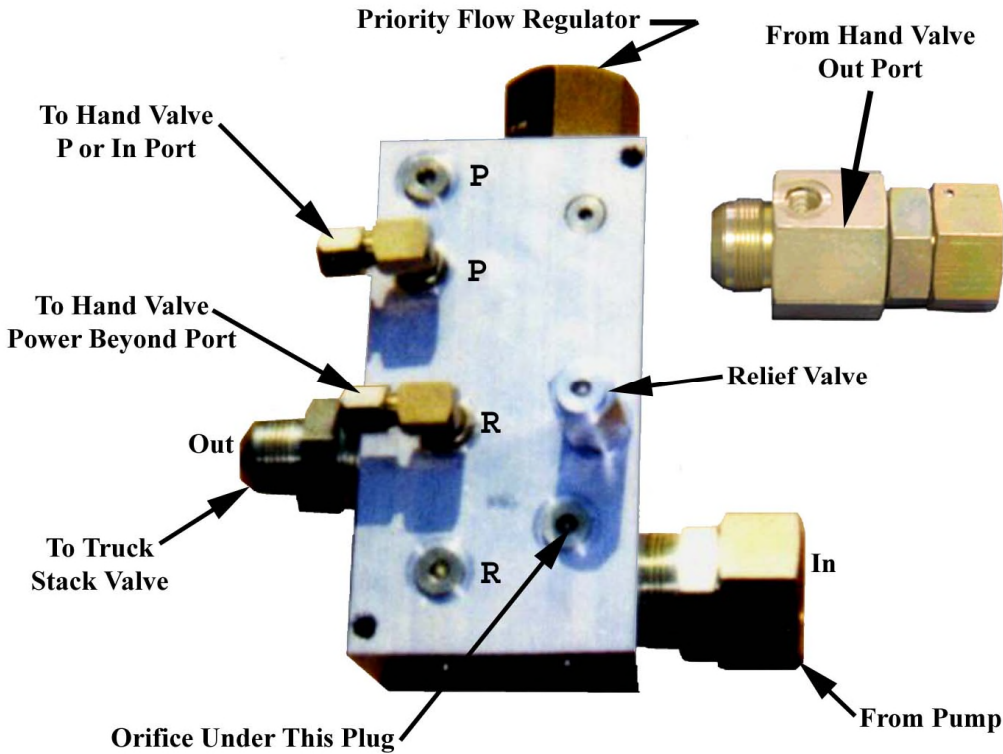


BP LIFTS
BY BARKER PRODUCTS
1310 Miller Road, Greenville, SC 29607
Phone: 800-349-3149—Fax: 864-297-1292



Installation Power Beyond System High Flow Single Diverter Valve

- **Install Diverter Valve in the truck pressure line between the hydraulic pump and the stack valve at the rear of the truck. The IN port of the diverter is connected to the pump and the OUT port is connected to the stack valve.**
- **Connect the Port Marked P on the Diverter Valve to the Port Marked P or IN on the Hand Valve.**
- **Connect the Port Marked R on the Diverter Valve to the Port Marked Power Beyond on the hand valve.**
- **The hand valve must be Power Beyond Style.**
- **The IN and OUT fittings may need to be reversed for your application.**
- **The operating speed of the lifts may be changed by changing the orifice size.**
- **CAUTION: Operating lifts faster than 6 seconds total cycle will void your lifter and**





Barker Products

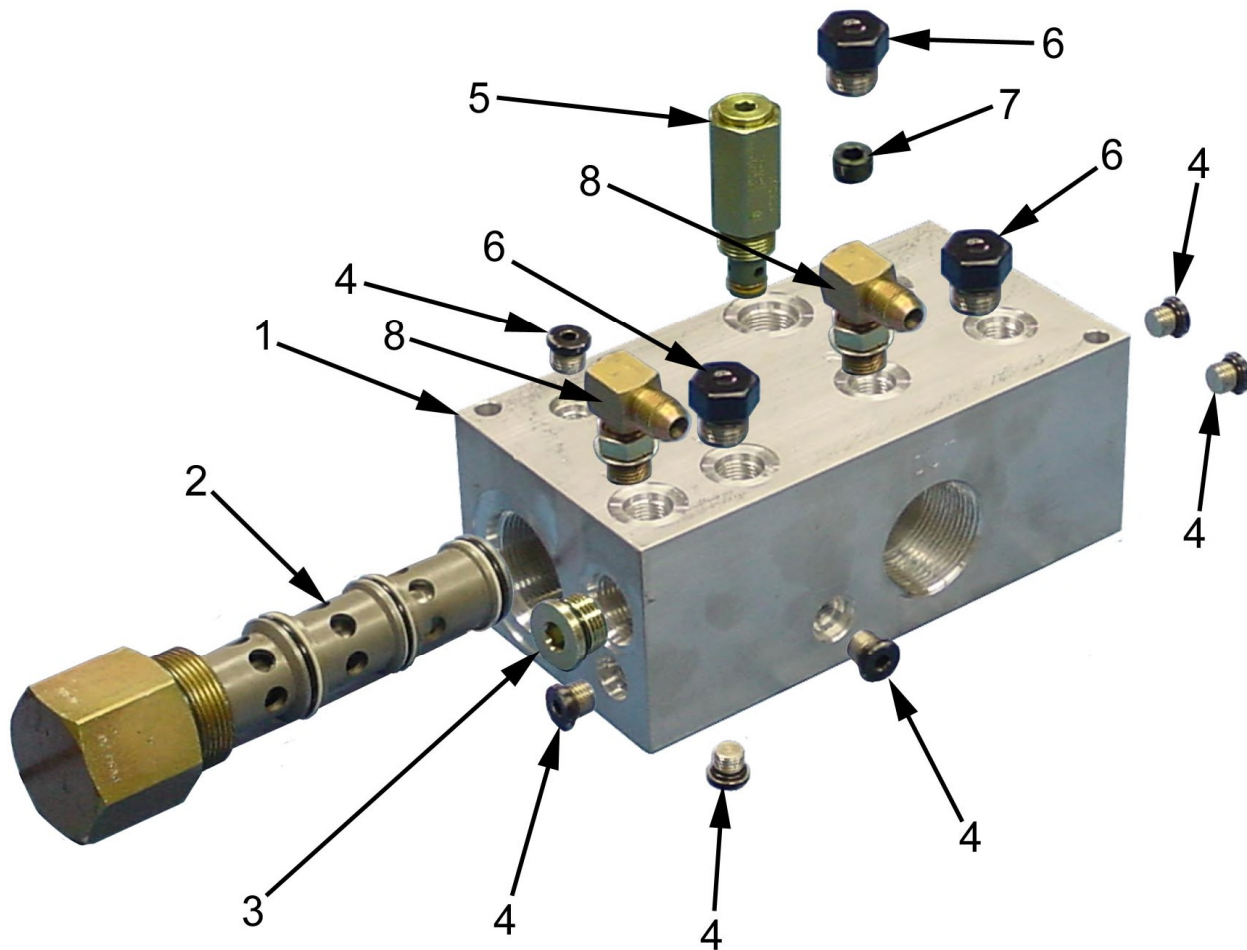
1310 Miller Road, Greenville, SC 29607



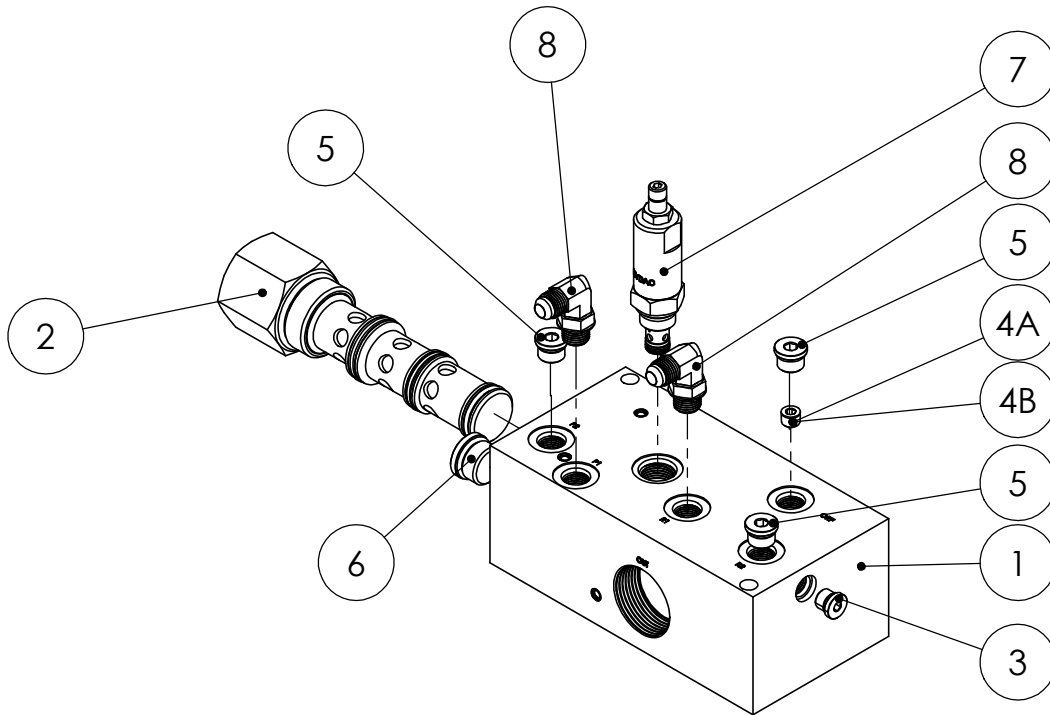
Single Diverter Valve Parts

Sold prior to 6/20/2013—Serial Number 22089

Item	Part #	Quan	Description
	BV03305		Complete Valve
1	BV04075	1	Diverter Valve Body
2	BV00640	1	Flow Regulator Spool
3	BR04600	1	#12 O- Ring Plug
4	BR04550	6	#4 O-Ring Plug
5	BV00530	1	Relief valve
6	BR04570	3	#6 O-Ring Plug
7		1	Orifice Plug
8	BR05210	2	6 X 6 Adapter - 90 Degree



ITEM NO.	PART #	DESCRIPTION	QTY.
1	BV04020	DIVERTER VALVE BODY	1
2	BV00640	FLOW REGULATOR SPOOL (20)	1
3	BR04550	6408-H04 O-RING PLUG	1
4A	BV00020	093 X 1/8 NPT PLUG FOR 15K ACTUATOR & 612 CYLINDER	
4B	BV00025	0.116 X 1/8 NPT PLUG FOR 27K ACTUATOR	
5	BR04570	6408-H06 O-RING PLUG	3
6	BR04590	6408-H10 O-RING PLUG	1
7	BV00520	RELIEF VALVE DB08A	1
8	BR05210	6801-06-06 90 DEG ADAPTER	2



DO NOT SCALE DRAWING		SINGLE DIVERTER VALVE BLANK	
UNLESS OTHERWISE SPECIFIED: DIMENSIONS ARE IN INCHES TOLERANCES: FRACTIONAL $\pm 1/32$ ANGULAR: MACH $\pm 1^\circ$ BEND $\pm 1^\circ$ TWO PLACE DECIMAL ± 0.010 THREE PLACE DECIMAL ± 0.005		DRAWING NO BV03310	REV 00
SCALE: 1:4	WEIGHT: 11.332 #	SHEET 1 OF 1	

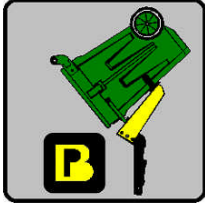


BARKER PRODUCTS
1310 MILLER ROAD
GREENVILLE, SC
29607

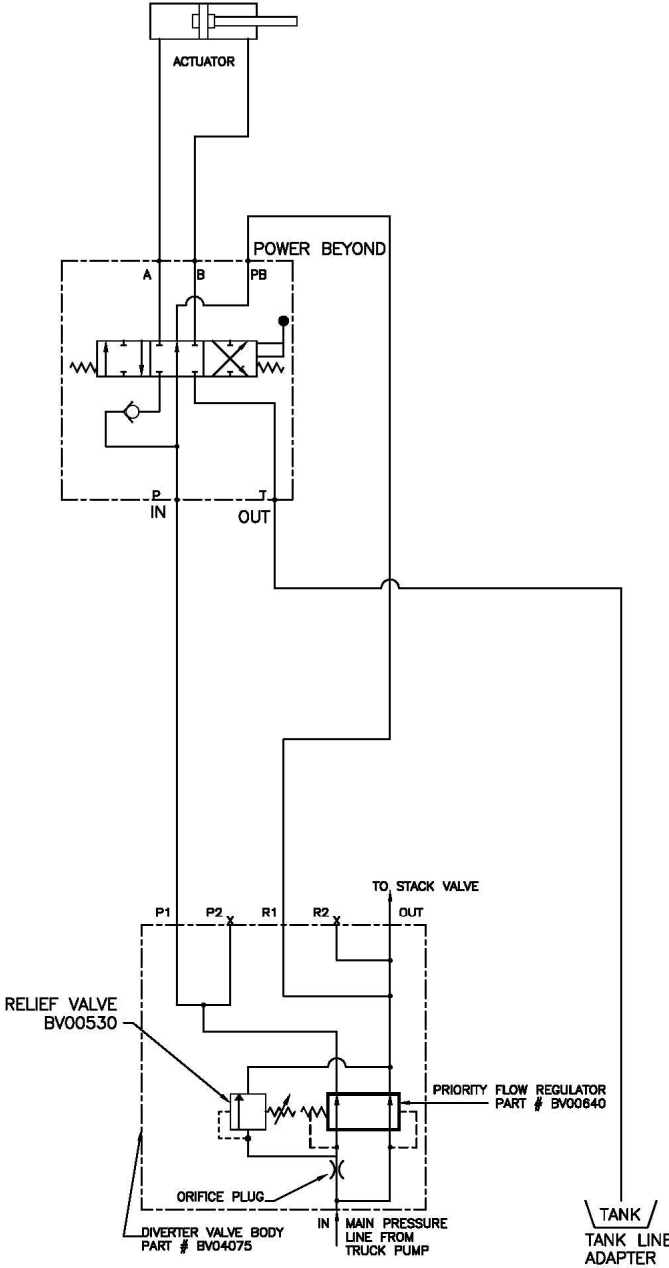
DRAWN BY: R WYMAN
DATE: 4/30/2021
MATERIAL: NOTED



BP LIFTS
BY BARKER PRODUCTS
1310 Miller Road, Greenville, SC 29607
Phone:800-349-3149—Fax:864-297-1292



Hydraulic Schematic Power Beyond Single Tap In Kit



SINGLE POWER BEYOND TAP IN KIT