



## **BP Lifts**

By Barker Products  
1310 Miller Road, Greenville, SC 29607  
Phone:800-349-3149 Fax:707-371-4886

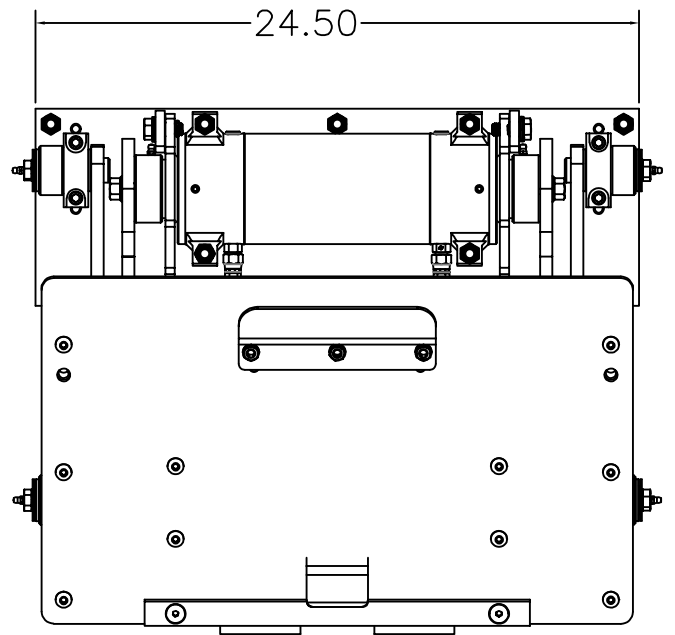
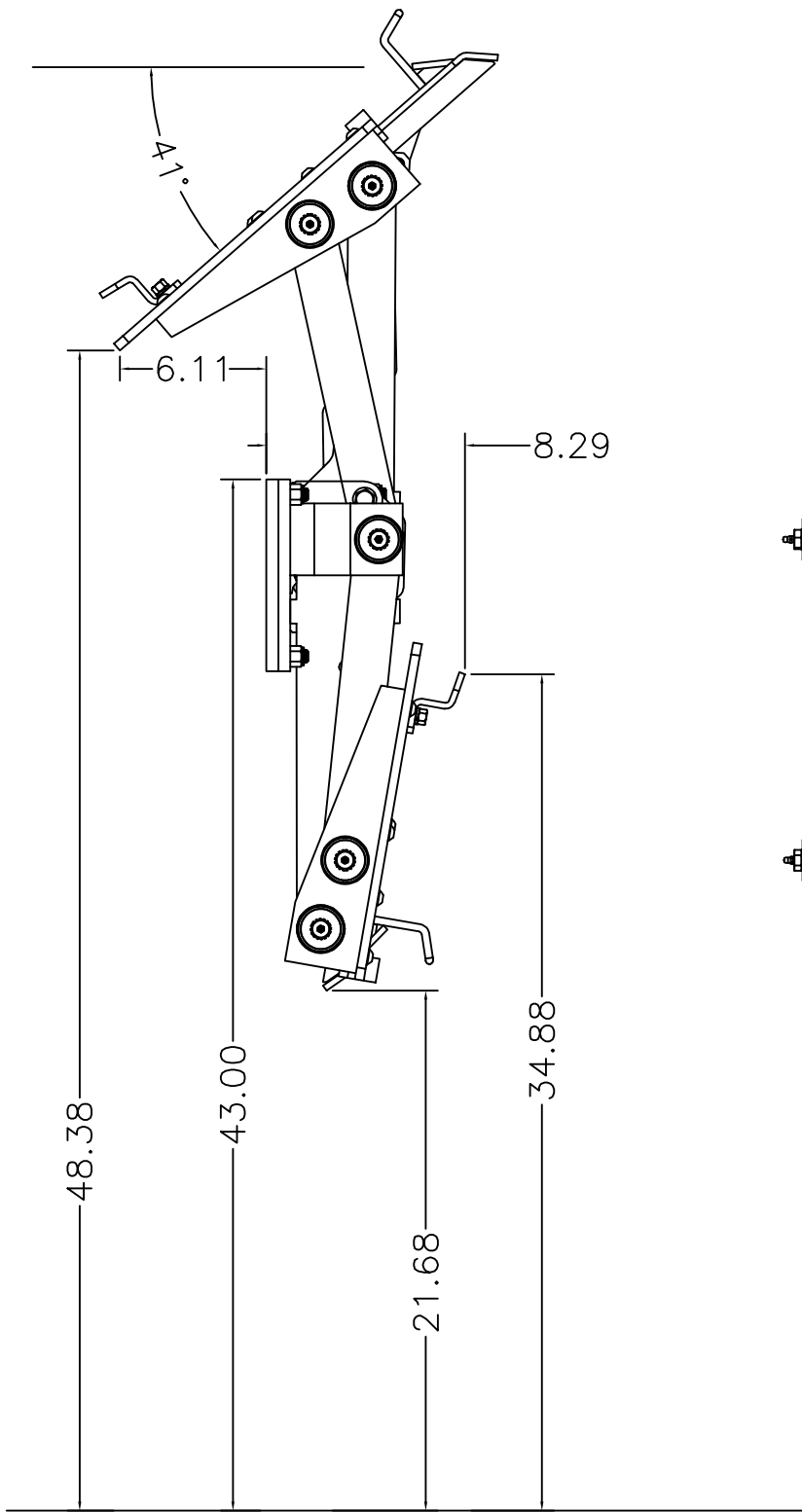


# ***Model BPHB2-15 Series Lifts***

## **FOR REAR LOADERS WITH LOWER LIFT BAR DUMPING COMMERCIAL CONTAINERS**



- **5 Models Available**
- **Meets ANSI Z245 Type B Specifications**
- **Powered By The Dependable Smooth Acting Helical Rotary Actuator**
- **Splined Shafts To Eliminate Arm Movement And Wear**
- **EZ Bolt On Kit Standard**
- **Heavy Duty Cast Iron Bushings For Long Life Cycle**
- **36" To 45" Mounting Heights Available**
- **21" Ground Clearance**



GROUND LEVEL



BARKER PRODUCTS  
1310 MILLER ROAD  
GREENVILLE, SC  
29607

DRAWN BY: R WYMAN  
DATE: 1/12/2022  
MATERIAL: NOTED

DO NOT SCALE  
DRAWING  
UNLESS OTHERWISE SPECIFIED  
DIMENSIONS ARE IN INCHES  
TOLERANCES:  
FRACTIONAL  $\pm 1/32$   
ANGULAR: MACH  $\pm 1^\circ$  BEND  $\pm 1^\circ$   
TWO PLACE DECIMAL  $\pm 0.010$   
THREE PLACE DECIMAL  $\pm 0.005$

HB2-1516 LIFT

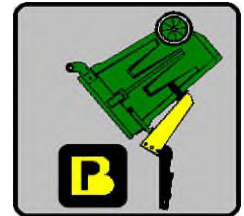
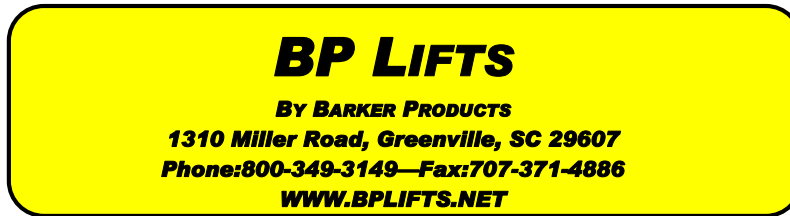
DRAWING NO  
BU08300 ENVELOPE

REV  
00

SCALE: 1:8

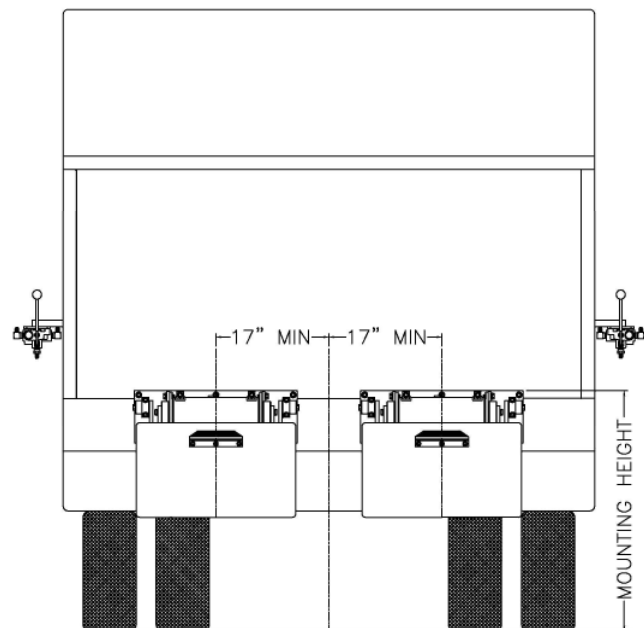
WEIGHT: 228.406 #

SHEET 1 OF 1



# Lift Unit Installation

1. Truck must be empty, clean and parked on a level surface before installation is started.
2. Remove all bumpers and running boards that will interfere with the location of the lift units. Relocate lower mounted tail lights as needed.
3. Measure and mark the centerline of the truck hopper. The centerline of the unit or units should be a minimum of 17" from the hopper centerline.
4. Hand valves should be mounted on the side of the hopper at the most convenient height for the operator and clear of the packer controls.
5. The top of the unit mounting plate should be tack welded in place at the height recommended on the envelope dimension sheet of the unit.  
**CAUTION: SEE NOTE BELOW PICTURE**
6. All dimensions should be approved by the customer before final welding.
7. If the mounting plate extends more than 2" above the hopper, a brace should be added.



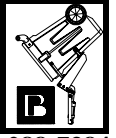
Mounting heights and locations are recommendations only. It is the responsibility of the installer to insure that the customer is satisfied with the height. Barker Products recommends that after the units are tacked in place, try the units with the can or cans the customer uses. The customer should approve your mount before final welding.



1310 Miller Road  
Greenville, SC 296078

# Barker Products

*Lift Unit Specialist*



Phone:864-288-7384  
Fax:864-297-1292

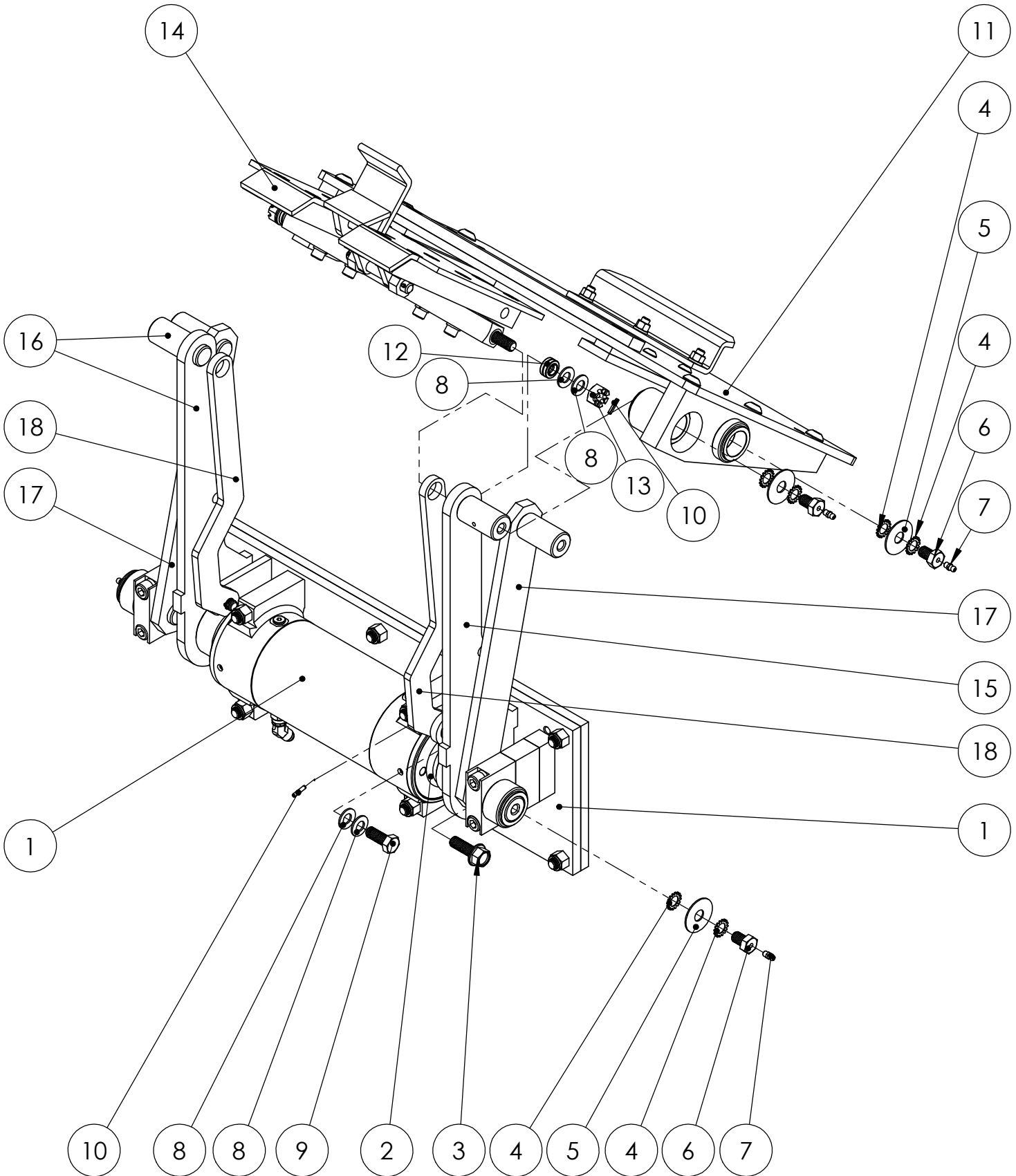
## **BPH SERIES LIFT UNIT WARRANTY**

**Barker Products warranties each new dump unit to be free of defects in material and workmanship under normal use and service for a period of 1 year or 2000 hours of operation, whichever comes first, from the date of delivery.**

**This warranty excludes any obligations by BARKER PRODUCTS for the cost of down time. BARKER PRODUCTS will not warranty any dump unit which has been subject to misuse, neglect, alteration, or damaged by an accident.**

**On any work not performed by BARKER PRODUCTS or it's representative, the customer will be responsible for freight charges on all parts shipped under warranty. Parts will be invoiced at time of shipment. Defective parts must be returned to BARKER PRODUCTS within 30 days. If the part is determined to be defective the customer will be credited for the original invoice.**

**Customer warranty labor charges must be approved by BARKER PRODUCTS in advance. If not contacted for approval, BARKER PRODUCTS will not be liable for the warranty labor charge.**



DO NOT SCALE DRAWING		HB2-1516 LIFT PARTS	
UNLESS OTHERWISE SPECIFIED: DIMENSIONS ARE IN INCHES TOLERANCES: FRACTIONAL ±1/32 ANGULAR: MACH ±1° BEND ±1° TWO PLACE DECIMAL ±0.010 THREE PLACE DECIMAL ±0.005		DRAWING NO	REV
		BU08300 PARTS	00
MATERIAL: NOTED		SCALE: 1:6	WEIGHT: 225.959 # SHEET 1 OF 2

**B**

**BARKER PRODUCTS**  
1310 MILLER ROAD  
GREENVILLE, SC  
29607

DRAWN BY: R WYMAN  
DATE: 8/29/2017  
MATERIAL: NOTED

ITEM NO.	PART NUMBER	DESCRIPTION	EXPLODED PARTS/QTY.
1	BWA10010	MAINFRAME SUB ASSY	1
2	BW07001	O-RING GREASE SEAL	2
3	XAE081312	3/8-16 X 1 1/2 FLANGED HHCS	2
4	BW02150	1/2" STAR WASHER EXTERNAL	12
5	BW07115	BEARING CAP WASHER	6
6	BW07110	BEARING CAP BOLT	6
7	BW01110	GREASE FITTING - 1/4-28 SHORT	6
8	BW02100	1/2" BELLEVILLE SPRING WASHER	8
9	BW02140	1/2-13 X 1 1/4 LOCK BOLT	2
10	BW02125	5/32 X 3/4 SPRING PIN	4
11	BWA10026	LIFT PLATE SUB ASSY	1
12	BW99308	1/2" SPHERICAL BEARING	2
13	XDE081300	1/2-13 SLOTTED NUT	2
14	BWA09990	SLIDE SUB ASSY	1
15	BW11305	RIGHT LIFT ARM	1
16	BW11300	LEFT LIFT ARM	1
17	BW10420	GUIDE ARM	2
18	BW10520	SLIDE LINK	2



**BARKER PRODUCTS**  
1310 MILLER ROAD  
GREENVILLE, SC  
29607

DRAWN BY: R WYMAN

DATE: 8/29/2017

MATERIAL: NOTED

DO NOT SCALE  
DRAWING

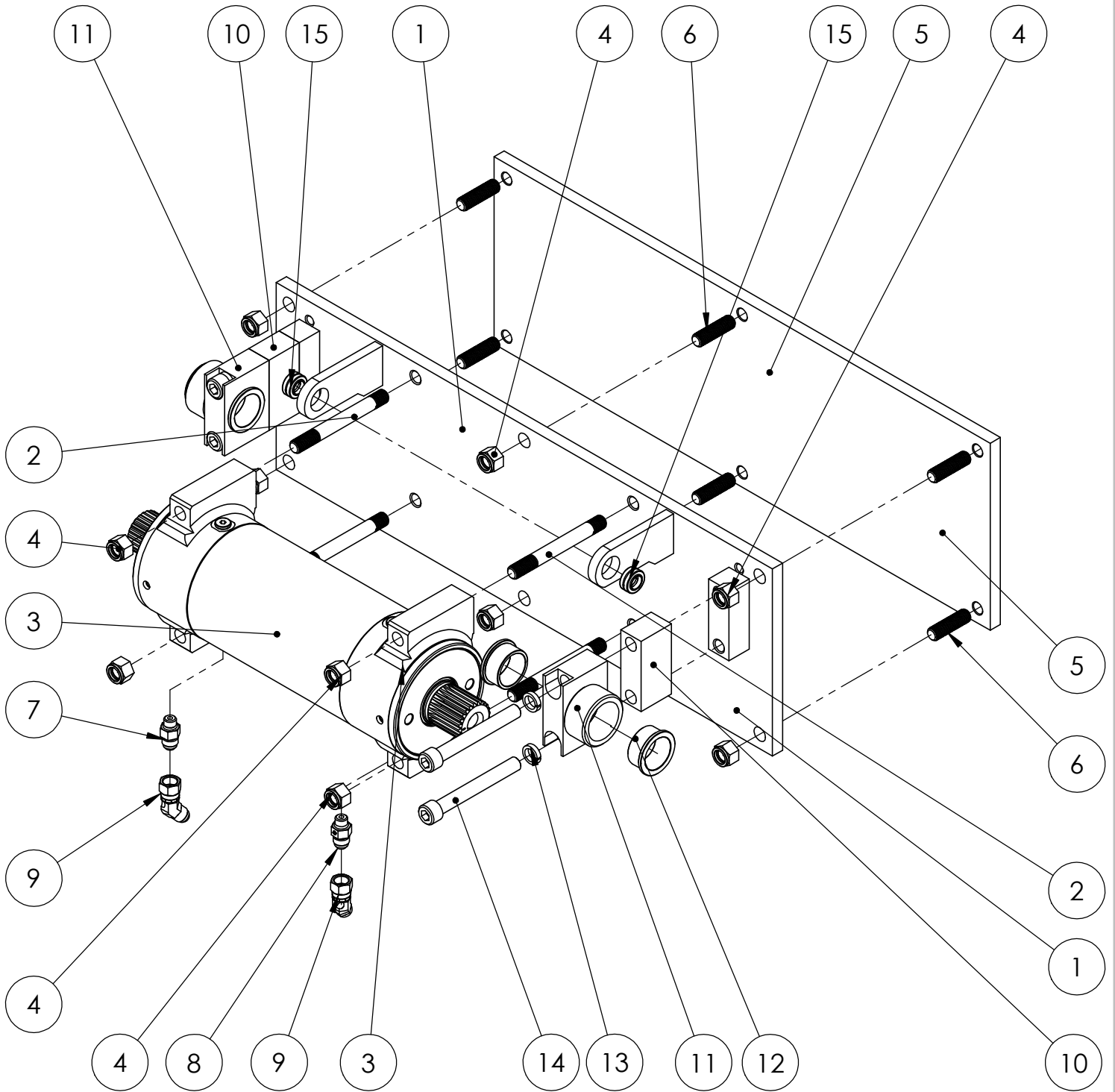
UNLESS OTHERWISE SPECIFIED:  
DIMENSIONS ARE IN INCHES  
TOLERANCES:  
FRACTIONAL ±1/32  
ANGULAR: MACH ±1° BEND ±1°  
TWO PLACE DECIMAL ±0.010  
THREE PLACE DECIMAL ±0.005

HB2-1516 LIFT PARTS

DRAWING NO  
BU08300 PARTS

REV  
00

SCALE: 1:1 WEIGHT: 225.959 # SHEET 2 OF 2



**BARKER PRODUCTS**  
 1310 MILLER ROAD  
 GREENVILLE, SC  
 29607

DRAWN BY: R WYMAN  
 DATE: 8/17/2017  
 MATERIAL: NOTED

DO NOT SCALE  
 DRAWING  
 UNLESS OTHERWISE SPECIFIED:  
 DIMENSIONS ARE IN INCHES  
 TOLERANCES:  
 FRACTIONAL  $\pm 1/32$   
 ANGULAR: MACH  $\pm 1^\circ$  BEND  $\pm 1^\circ$   
 TWO PLACE DECIMAL  $\pm 0.010$   
 THREE PLACE DECIMAL  $\pm 0.005$

MAINFRAME SUB ASSY PARTS  
 HB2-15

DRAWING NO  
 BWA10010 PARTS

REV  
 00

SCALE: 1:5 WEIGHT: 114.098 # SHEET 1 OF 2

ITEM NO.	PART NUMBER	DESCRIPTION	EXPLODED PARTS/QTY.
1	BW10010	MAINFRAME	1
2	BW07125	ACTUATOR MOUNT STUD	4
3	BW07000	15K ACTUATOR	1
4	XDC082000	1/2-20 NYLOK NUT	10
5	BW07030	MOUNT PLATE H	1
6	BW07140	PLATE STUD	6
7	BV00053	093 X 6T4S ORIFICE FITTING	1
8	BR03825	6400-06-04 M TUBE X M ORING	1
9	BR04842	6502-06-06 MJ-FJS 45 DEG	2
10	BZ09016	GUIDE ARM SPACER 1 1/2	2
11	BW10080	TOP BEARING	2
12	BW00934	CAST FLANGE BUSHING	4
13	XEC0806080	1/2" HC LOCK WASHER	4
14	XAB082032	1/2-20 X 4 SHCS	4
15	BW99308	1/2" SPHERICAL BEARING	2



**BARKER PRODUCTS**  
1310 MILLER ROAD  
GREENVILLE, SC  
29607

DRAWN BY: R WYMAN

DATE: 8/17/2017

MATERIAL: NOTED

DO NOT SCALE  
DRAWING  
UNLESS OTHERWISE SPECIFIED:  
DIMENSIONS ARE IN INCHES  
TOLERANCES:  
FRACTIONAL ±1/32  
ANGULAR: MACH ±1° BEND ±1°  
TWO PLACE DECIMAL ±0.010  
THREE PLACE DECIMAL ±0.005

MAINFRAME SUB ASSY PARTS  
HB2-15

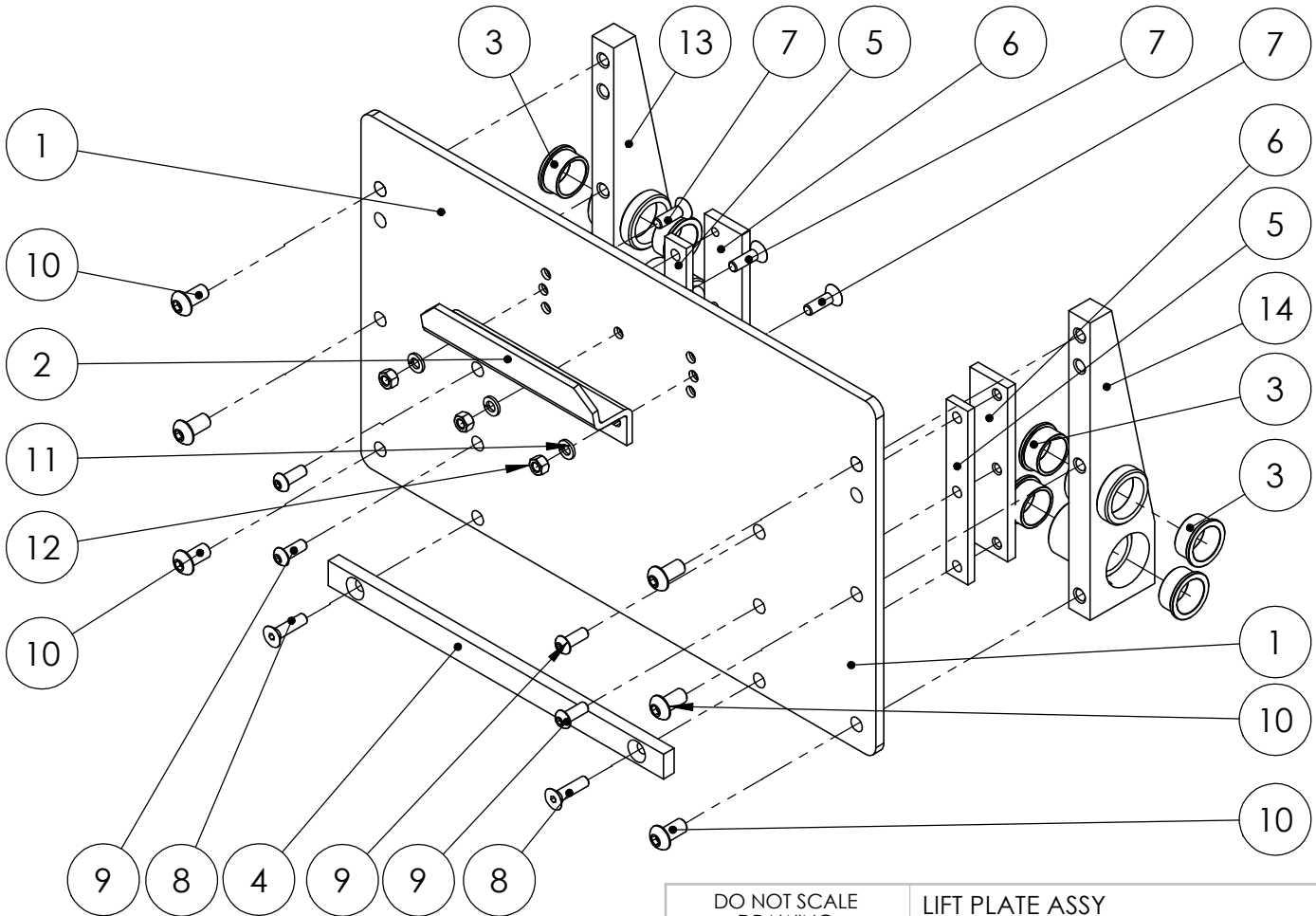
DRAWING NO  
BWA10010 PARTS

REV  
00

SCALE: 1:1 WEIGHT: 114.098 # SHEET 2 OF 2



ITEM NO.	PART NUMBER	DESCRIPTION	EXPLODED PARTS/QTY.
1	BW10026	LIFT PLATE	1
2	BW00800	SADDLE	1
3	BW00934	CAST FLANGE BUSHING	8
4	BW10170	CAN SUPPORT	1
5	BW07330	SLIDE SPACER	2
6	BW07320	SLIDE CAP	2
7	XAD061610	3/8-16 X 1 1/4 FHSCS	3
8	XAD061612	3/8-16 X 1 1/2 FSHCS	2
9	XAC061608	3/8-16 X 1 BHCS	4
10	XAC081308	1/2-13 X 1 BHCS	6
11	XEB061000	3/8 LOCKWASHER	3
12	XDA061600	3/8-16 HEX NUT	3
13	BW10030	LEFT LP MOUNT	1
14	BW10040	RIGHT LP MOUNT	1



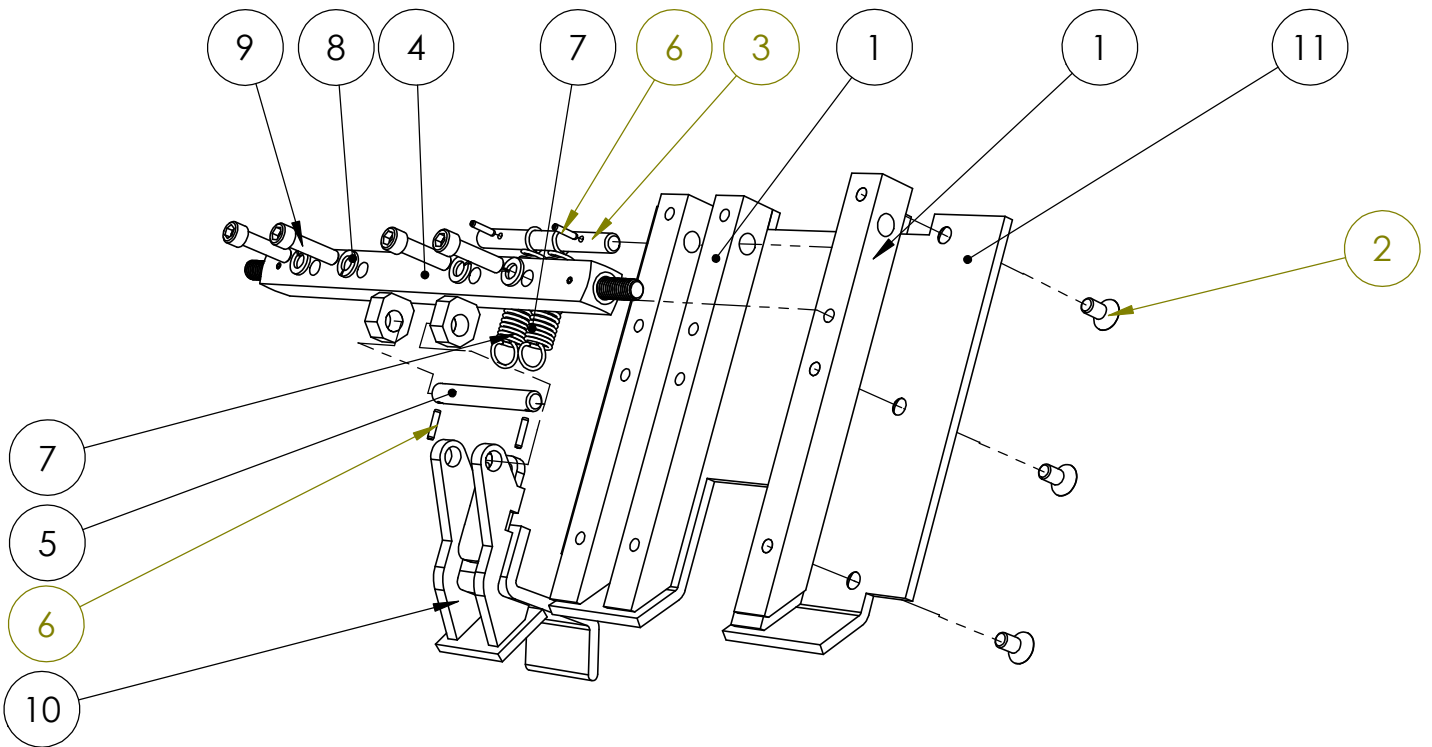
DO NOT SCALE DRAWING		LIFT PLATE ASSY HB2-15	
UNLESS OTHERWISE SPECIFIED: DIMENSIONS ARE IN INCHES TOLERANCES: FRACTIONAL ±1/32 ANGULAR: MACH ±1° BEND ±1° TWO PLACE DECIMAL ±0.010 THREE PLACE DECIMAL ±0.005		DRAWING NO BWA10026 PARTS	REV 00
MATERIAL: NOTED		SCALE: 1:6	WEIGHT: 56.988 #
		SHEET 1 OF 1	



**BARKER PRODUCTS**  
1310 MILLER ROAD  
GREENVILLE, SC  
29607

DRAWN BY: R WYMAN  
DATE: 8/24/2017  
MATERIAL: NOTED

ITEM NO.	PART NUMBER	DESCRIPTION	EXPLODE VIEW/QTY.
1	BW10240	SLIDE SUPPORT	4
2	XAD061606	3/8-16 X 3/4 FHSCS	12
3	BW10110	SPRING SHAFT	1
3	BW10060	SLIDE DRIVE	1
5	BW10100	HOOK SHAFT	1
6	BW02125	5/32 X 3/4 SPRING PIN	4
7	BW10120	HOOK SPRING	2
8	XEB061000	3/8 LOCKWASHER	4
9	XAB061612	3/8-16 X 1 1/2 SHCS	4
10	BW10680	HOOK	1
11	BW10230	SLIDE PLATE	1



DO NOT SCALE DRAWING		SLIDE PARTS	
UNLESS OTHERWISE SPECIFIED: DIMENSIONS ARE IN INCHES TOLERANCES: FRACTIONAL ±1/32 ANGULAR: MACH ±1° BEND ±1° TWO PLACE DECIMAL ±0.010 THREE PLACE DECIMAL ±0.005		15K UNITS	
DRAWN BY: R WYMAN		DRAWING NO BWA09990	
DATE: 8/24/2017		REV 00	
MATERIAL: NOTED		SCALE: 1:4	WEIGHT: 19.600 # SHEET 1 OF 1



**BARKER PRODUCTS**  
1310 MILLER ROAD  
GREENVILLE, SC  
29607